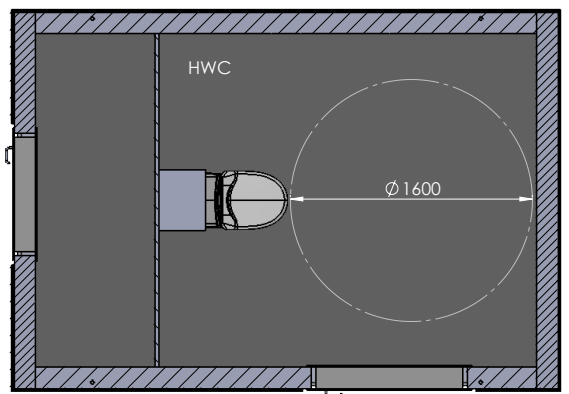
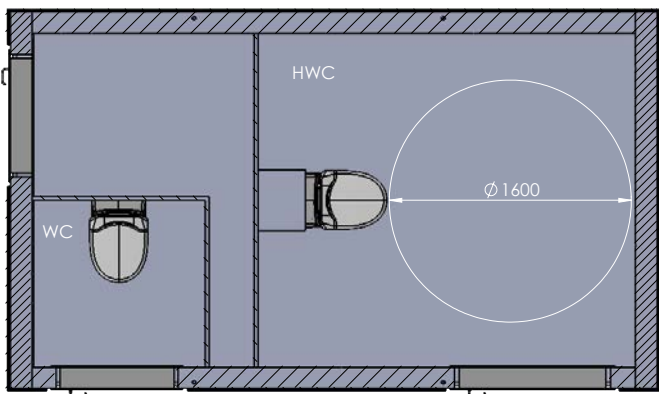




SOLAR-POWERED TOILET HOUSE

FOR ENVIRONMENTS WITHOUT ELECTRICITY, WATER AND SEWAGE







TOILET
WHEELCHAIR
ACCESSIBLE



SOLAR-POWERED TOILET HOUSE

– Environmentally friendly public toilet

The solar-powered Toilet House is intended for landscape locations without access to electricity, water and sewage. The toilet is operated with vacuum technology and is equipped with solar cells on the roof. The Toilet House is available with one or two toilet rooms. Danfo believe that public toilets should be accessible to everyone, which is why both models are fully accessible.

Since the Toilet House and its waste tank, emptied through slurry suction, incorporates an enclosed sewage system, it can be placed almost anywhere. It is a very popular installation in national parks, open-air activity areas, nature reserves and other sensitive environments which attract large numbers of visitors.

For usage during winter the building needs isolation and heating which requires electricity.

TECHNICAL INFORMATION

– Planning permission

Danfo supplies all the drawings and technical specifications required to make a planning application together with foundation details.

– Walls and façade

The interior walls are encapsulated with laminate sheeting. The external façade is clad with timber.

– Roof

The standard external roof is a gable-end roof manufactured out of fibre glass with integrated solar cell panels.

– Doors

Maintenance free doors manufactured in fibre glass.

– Toilet

Standard toilet JETS Ultima vacuum system 12 V. Water usage per flush 0.6 litre.

– Tanks

The standard tanks are made of fibre glass. The size of the tanks for a single room building: fresh water tank 1000 litres, waste tank 2000 litres. For a building with two rooms the size of the fresh water tank is 1200 litres and the waste tank 2500 litres. It is also possible to connect the building to external tanks provided by the customer.

– Solar cells

For a single room building: Sunvin 140 W, battery capacity 2 x 200 AH.

For a building with two rooms: Sunvin 140 Wx2, battery capacity 2 x 200 AH.

– Lighting

Interior lighting 6 - Nova LED 0.5 W with motion sensors.

– Example of options

Hand wash unit, level indicator for waste tank, insulation for year-round use. Ability for connection to electricity, water and sewage.